

# MIXPAC™ DP2X 400

## 400 ML CARTRIDGE DISPENSER

### Indicator Rod

To quickly see how much material is remaining in the cartridge

### Mounting Hook

To suspend dispenser



### Cartridge Release Button

Conveniently located to provide easiest cartridge ejection

### Trigger

Ergonomic trigger for more comfort

### Plunger Retract Button

Easily accessible with one hand

### Regulator

Adjust output force

## FEATURES

- Universal conversion kits with interchangeable cartridge trays and plungers
- Quick exhaust
- Integrated anti-drip feature
- Ergonomically designed

## BENEFITS

- Quick ratio exchange and use with DM2X and DP2X tools
- High precision and dispensing accuracy
- No oozing or dripping
- Fatigue free operation for longer periods of time

## APPLICATIONS



Bonding



Gap Filling



Sealing



Shimming



Solid Surface



Encapsulation

## PRODUCT BY RANGE



DP2X 200

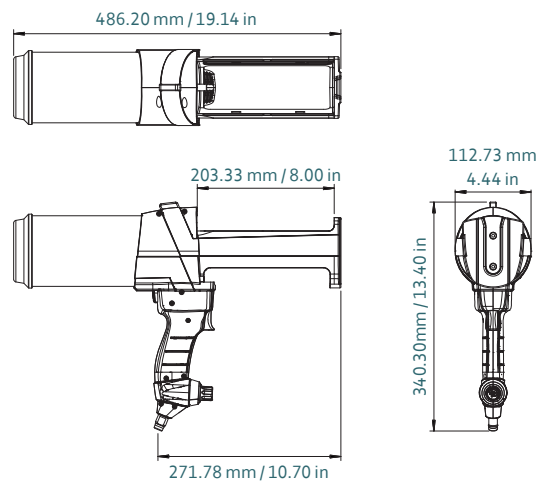
DP2X 400

# THE DP2X 400 IS A PNEUMATIC DISPENSER FOR ACHIEVING ACCURATE AND REPEATABLE RESULTS WHILE WORKING WITH MAXIMUM COMFORT.

## SPECIFICATIONS

- Weight 2.66 kg / 5.87 lbs
- Length: 486 mm / 19.1 in
- Maximum Thrust: 5.0 kN
- Tool material: cast aluminium and reinforced nylon
- Cartridge capacity: 400 mL
- Cartridge ratio: 1:1 / 2:1 / 4:1 / 10:1
- Air inlet: 1/4 in NPT
- Max operating pressure: 6.8 bar/100 psi

## DIMENSIONS



| Part number       | Article number | Ratio |     |     |      | Packaging                                    |
|-------------------|----------------|-------|-----|-----|------|--|
|                   |                | 1:1   | 2:1 | 4:1 | 10:1 |  |
| DP2X 400-01-50-01 | 165864         | ✓     | ✓   |     |      | Packed individually 1 unit per master carton |
| DP2X 400-04-50-01 | 165865         |       |     | ✓   |      |  |
| DP2X 400-10-50-01 | 165866         |       |     |     | ✓    |  |

## MATCHING MIXPAC™ SIDE-BY-SIDE CARTRIDGES

### C-SYSTEM / F-SYSTEM



C-System / F-System  
400 mL / 1:1 PP/PA



C-System / F-System  
400 mL / 2:1 PP/PA



C-System / F-System  
400 mL / 4:1 PP/PBT



C-System / F-System  
400 mL / 10:1 PP/PBT

## CONVERSION KITS

CKX 400-01-01, CKX 400-04-01, CKX 400-10-01

## MATCHING ACCESSORIES

All accessories are displayed on 16.